

## TT-3080A Capsat® Messenger



### Features

- Light and portable high-speed data terminal with transmission rates up to 64 kbps.
- Standard Mini-M voice, fax and data operation at 2.4 kbps.
- Multiple interfaces.
- Foldable, high-gain antenna with integrated compass and audible signal strength indicator for easy satellite tracking.
- Easy set-up and customisation of the terminal with the included configuration software.
- Mobile Packet Data Service (MPDS) .
- Multi-language support.
- Optional STU-IIB/STU-III.
- Optional antennas for fixed and mobile installations.

### Description

The Capsat® Messenger is your best choice for a truly portable high-speed data terminal. It is a unique tool for fast world-wide communication.

The antenna is just one of the many antennas available for the Capsat® Messenger. All of the antennas are easily interchangeable with the same transceiver.

The terminal has the following interfaces: Euro ISDN, USB, two RJ11 jacks for fax and phone, standard RS-232 interface, PCMCIA interface and audio ports for headphones and tape input.

The high-speed data rate of the Capsat® Messenger and the Euro ISDN interface makes it possible to browse on the Internet, connect to your Local or Wide Area Network, transmit real time and store & forward video, send pictures and much more.

All of this is made possible by plug & play applications, which are easily connected to the Capsat® Messenger.

Furthermore, it is possible to get a 128 kbps solution by combining two Capsat® Messenger terminals.

Thrane & Thrane has issued a number of accredited solutions which can be viewed on our website at [www.tt.dk](http://www.tt.dk)

The terminal also supports the Inmarsat MPDS service. When using this service you will be charged per transferred Mbit and not per minute. This means flexibility, choice and cost savings.

The Capsat® Messenger is housed in a magnesium case, making it ideal for rugged outdoor use. The antenna is easy to unfold and deploy and can be positioned up to 200 meters away from the main unit.

The unit is delivered to you in a lightweight and sturdy bag with separate rooms for cables, batteries, and other accessories.

## Specifications

### General Specifications:

Meets or exceeds current and proposed INMARSAT specifications for Inmarsat-phone spot-beam operation.

**Antenna:** Directional patch array antenna. Manually adjustable elevation setting.

**Voice:** 4.8 Kbps AMBE, 64 kbps High Quality Audio.

**Async. Data Rate:** 2.4 kbps, 56 kbps and 64 kbps.

**Phone Interface:** 2-wire 600Ω CCITT Rec. G.473, standard DTMF telephones, RJ-11 modular jack.

**Fax Interface:** 2-wire 600Ω CCITT Rec. G.473, T.30 Group III Fax, RJ-11 modular jack.

**Data Interface:** Serial EIA compatible standard RS-232E, built-in Hayes compatible modem, up to 115 kbps, DB-9 female connector.

**Euro ISDN Interface:** ISDN NT1 S/T bus, ITU-T I.430, ISO 8877 compliant RJ 45 connector.

**Audio Input:** Phono connector, broadcast quality voice. Line input: Max. 2.0 V RMS. Nominal 141 mV RMS. Phone input: Max. 0.2 V RMS. Nominal 14.1 mV RMS.

**Audio Output:** Headphone stereo jack, >48Ω (1.4 V RMS), Ø 3.5mm.

**SIM Card Interface:** Standard plug for user PID card, ISO-7816.

**PCMCIA Interface:** Type 2, 3.3 volt, max. 300 mA

**USB Interface:** USB slave interface.

**Antenna Connector:** 50Ω QLA.

**Power Supply:** 9.5 V - 20 VDC.

**Power Consumption:** Rx Idle < 0.1 W, Tx active 40 W, average at high speed data operation (Max. 60 W).

**Battery Capacity:** 2h High quality voice/ 4h Mini-M voice, 35 min. high speed data/fax or 2h Mini-M data/fax, 100h standby.

**Standard AC adapter:** 90-264 VAC, 47-63 Hz, 100 W.

**Ambient Temperature:**

-25°C to +55°C operating.

-40°C to +80°C storage.

**Relative Humidity:** IME: 95% non-condensing at +40°C EME: 100% condensing.

**Vibration Survival:** Random 5-20 Hz 0.05 g<sup>2</sup>/Hz, 20-150 Hz -3dB/Oct. (1.7g RMS).

**Mechanical Shock:** 20g/1 lms half-sine.

**G/T:** -7 dB/K minimum.

**EIRP:** Mini-M: 8-14 dBW in 2 dB steps.

HSD: 19-25 dBW in 2 dB steps.

**Antenna Cable:** QLA/QLA male, max. cable loss 10 dB at 1.6 GHz, 0.5Ω at DC.

**Rx Freq. Band:** 1525.0 - 1559.0 MHz.

**Tx Freq. Band:** 1626.5 - 1660.5 MHz.

**Channel Spacing:** 1.25 kHz.

**Rx Modulation:** 5.6 kbps O-QPSK, SCPC (voice, data, fax), 6 kbps BPSK - TDMA, 134.4 kbps 16QAM, SCPC (data).

**Tx Modulation:** 5.6 kbps O-QPSK, SCPC (voice, data, fax), 3 kbps BPSK - TDMA, 134.4 kbps 16QAM, SCPC (data).

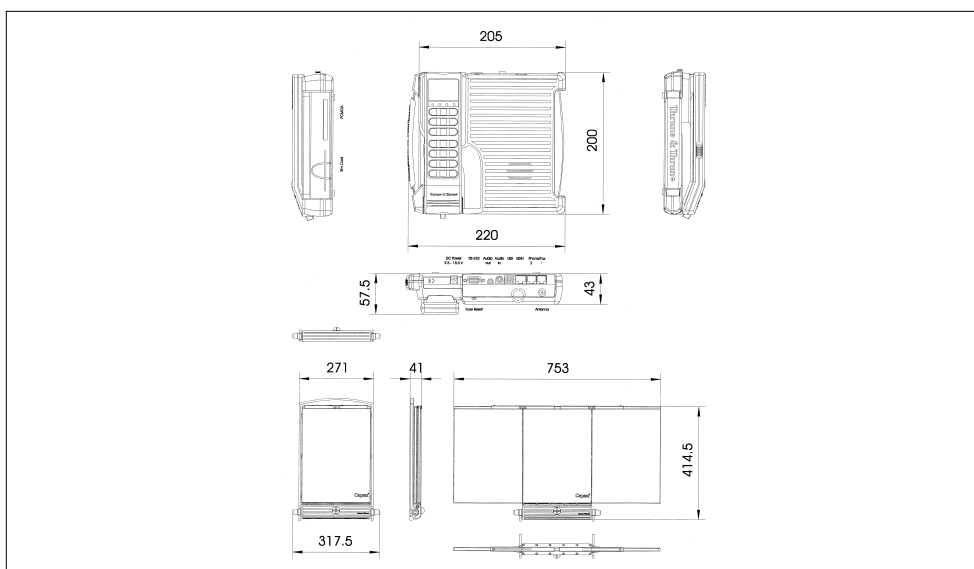
**Dimension of Transceiver:** H x W x D: 43 mm x 205 mm x 200 mm,

**Weight of Transceiver:** 1.7 kg (including battery and handset).

**Dimension of Antenna:** H x W x D  
Closed: 437 mm x 271 mm x 41 mm  
Opened: 414.5 mm x 753 mm x 12 mm

**Weight of Antenna:** 3.5 Kg.

Our products are under continuous research and development. This information may therefore change without prior notice. Capsat is a registered trademark of Thrane & Thrane A/S, Denmark.



Distributor: